

Installation Plan
Tumble dryer



PT 7186 EL (Electrically Heated)

U.S.A.

Miele, Inc.

National Headquarters

9 Independence Way
Princeton, NJ 08540

Phone: 800-991-9380

Fax: 609-419-4241

www.mieleusa.com

Technical Service & Support

Nationwide

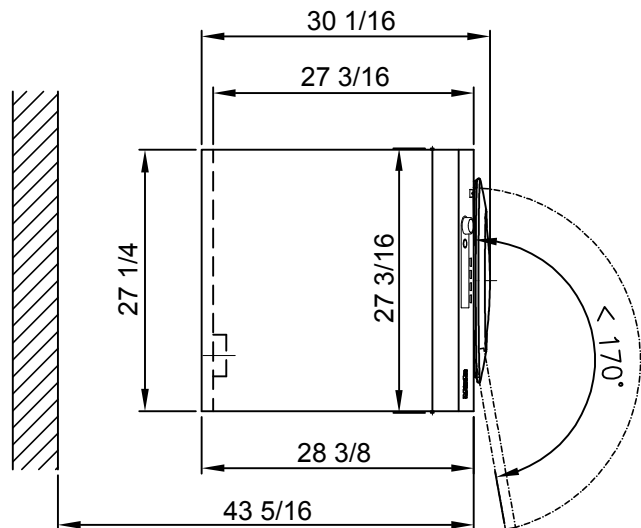
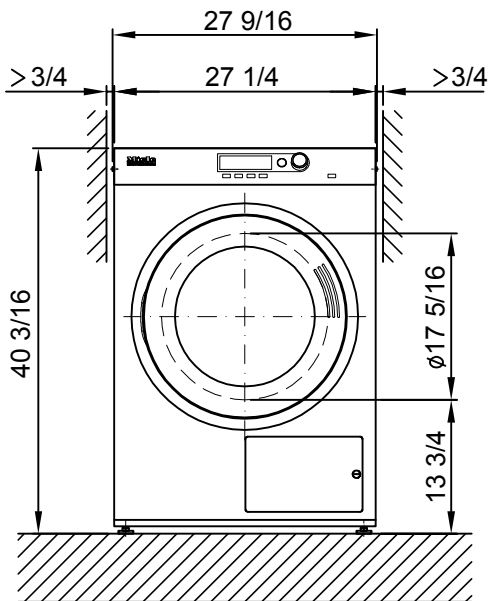
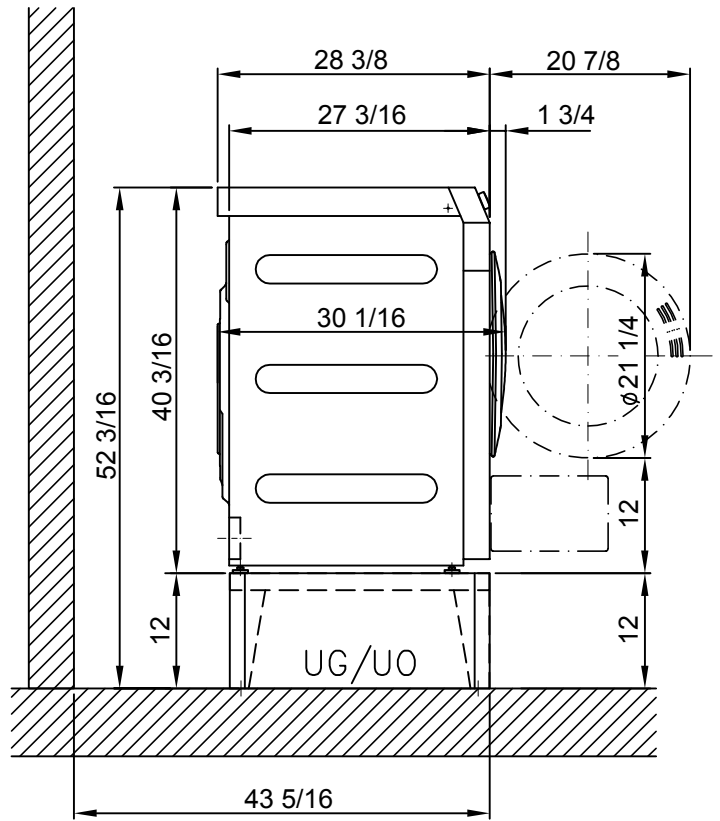
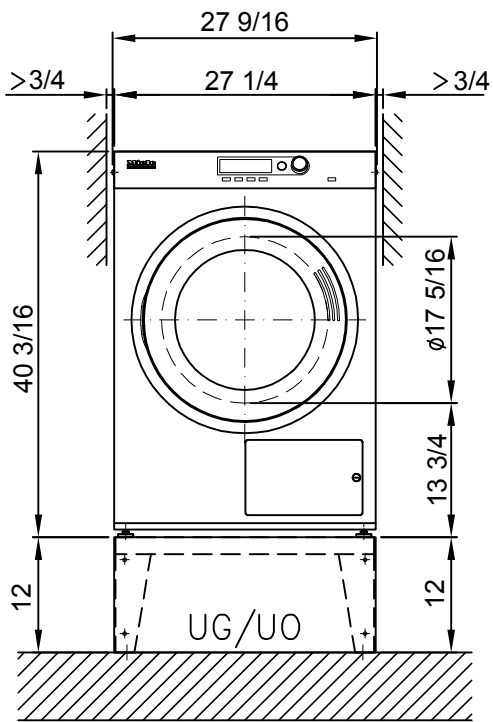
Phone: 800-991-9380

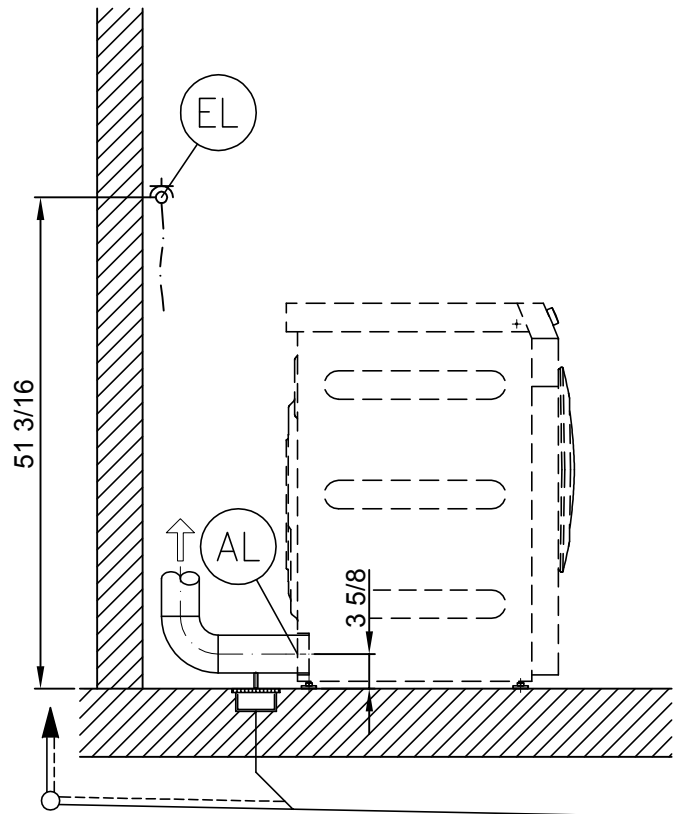
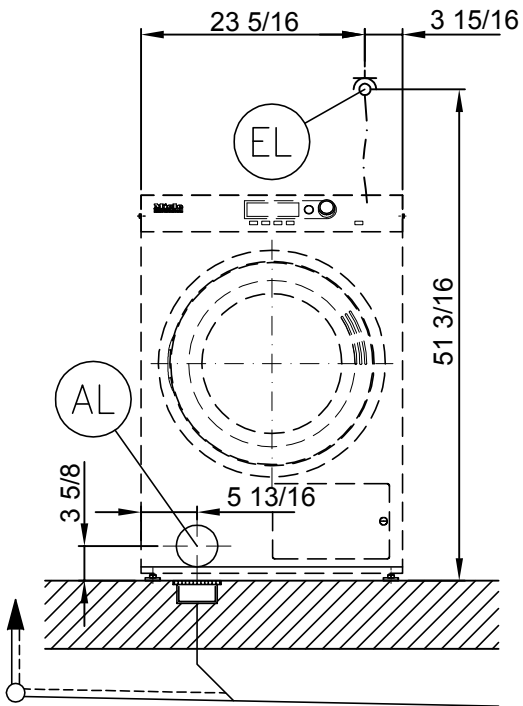
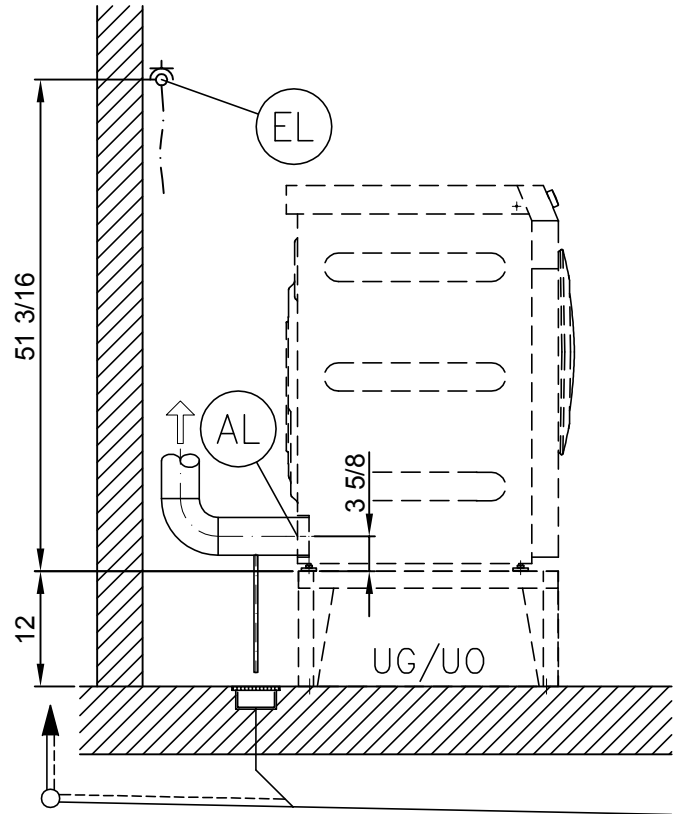
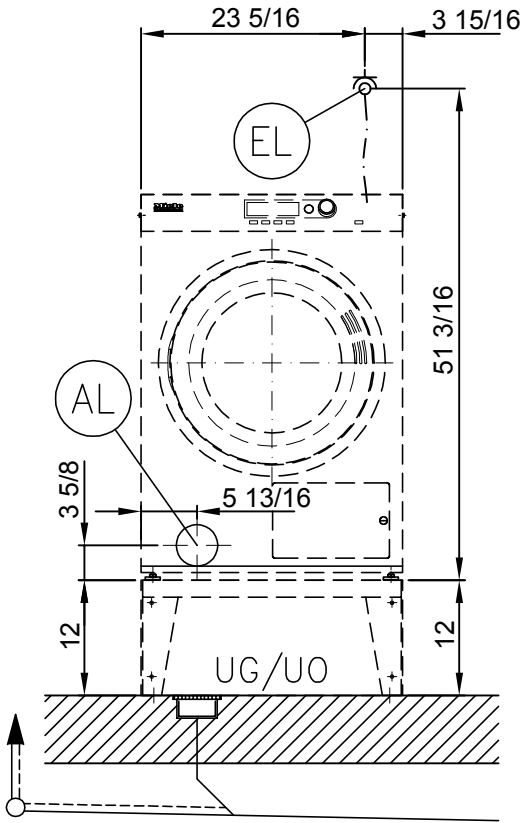
Fax: 800-220-1348

proservice@mieleusa.com

It is essential to read the operating and installation instructions before
installing, commissioning or using the machine.
This avoids the risk of accidents or damage.

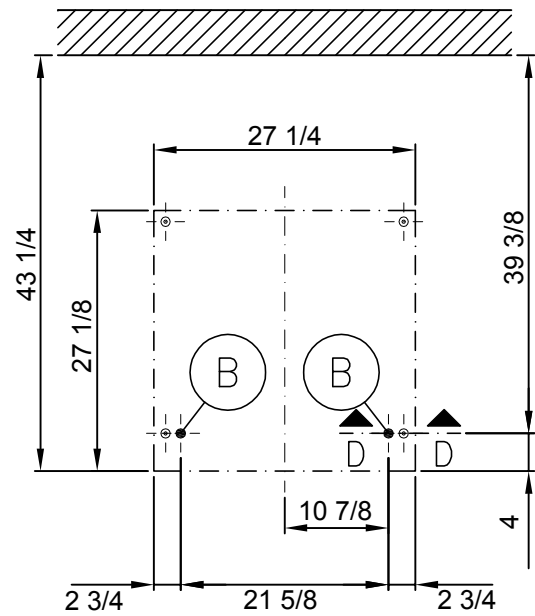
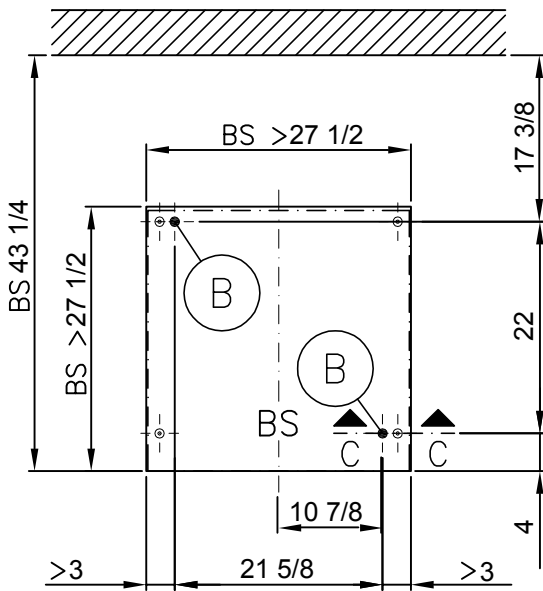
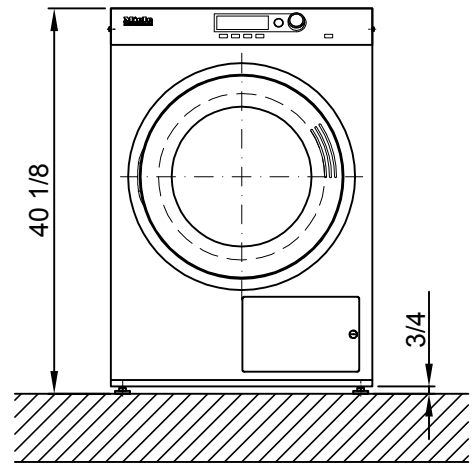
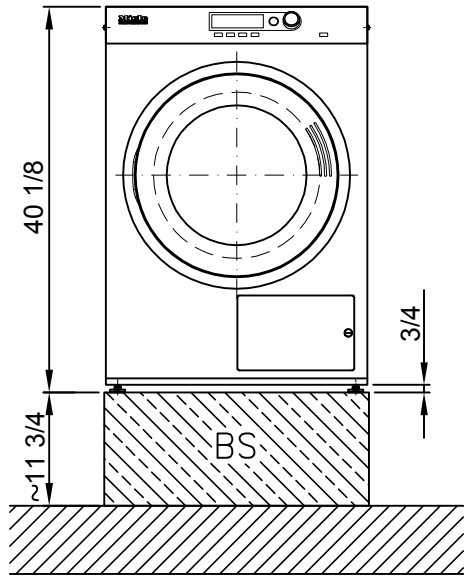
All rights reserved



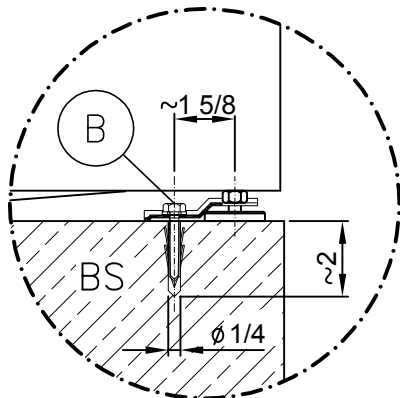


Option: Installation on concrete platform (BS)

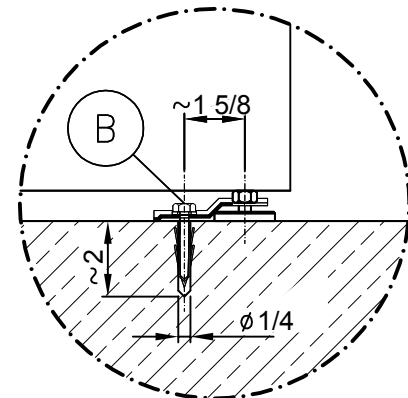
Standard installation

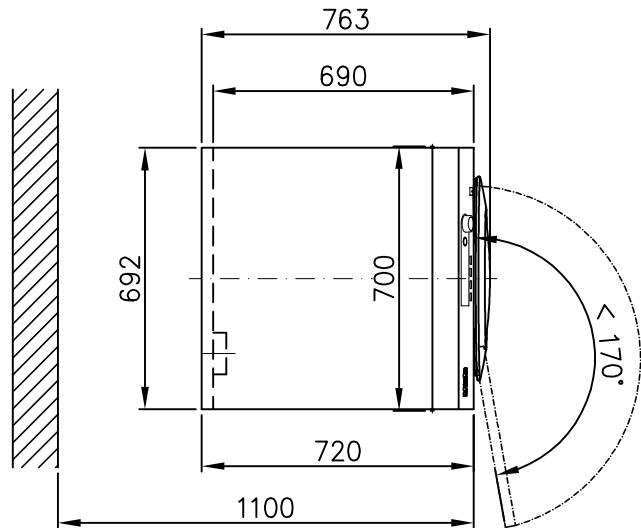
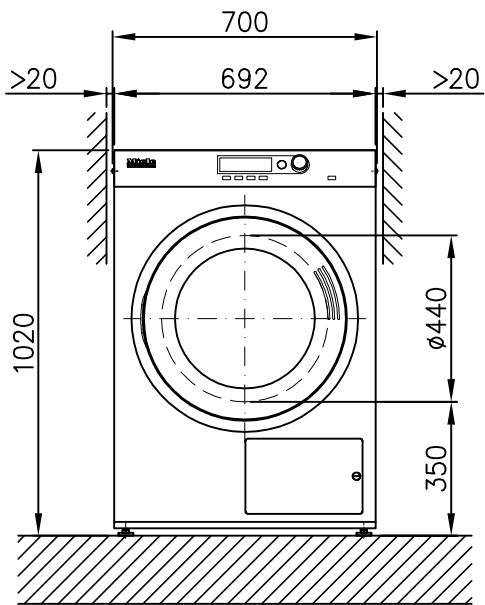
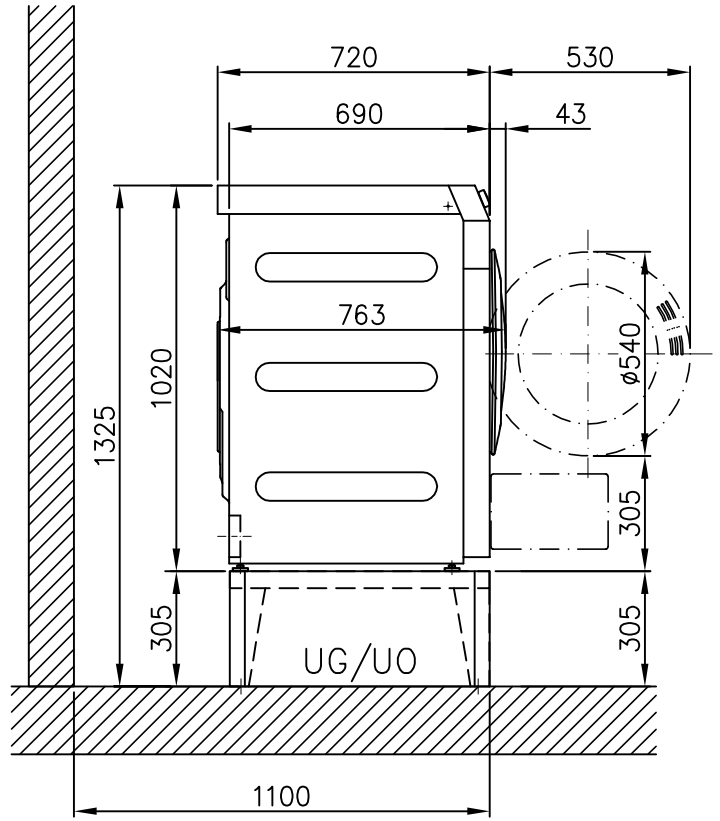
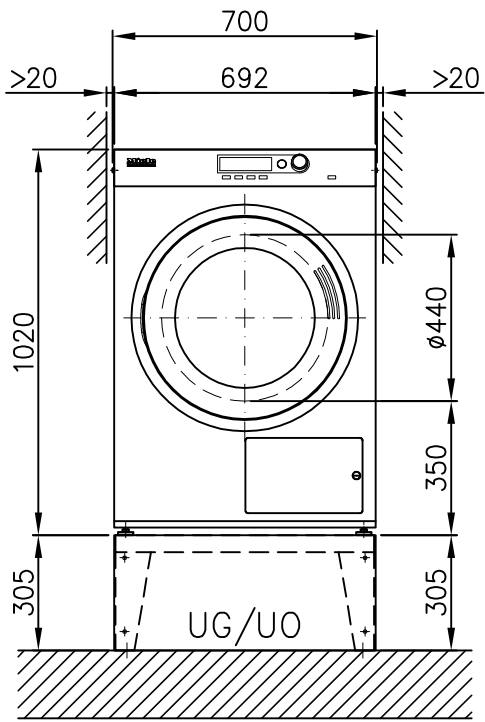


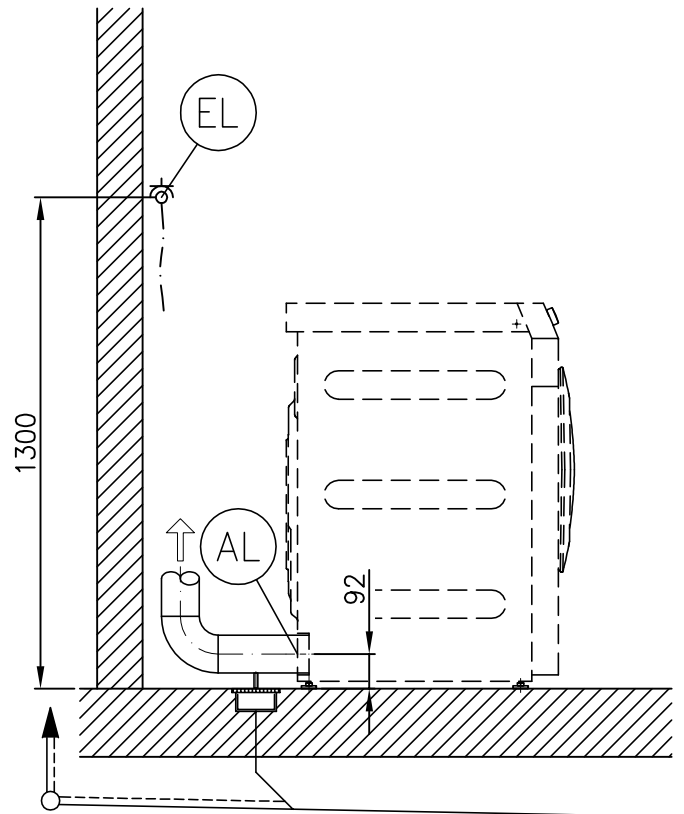
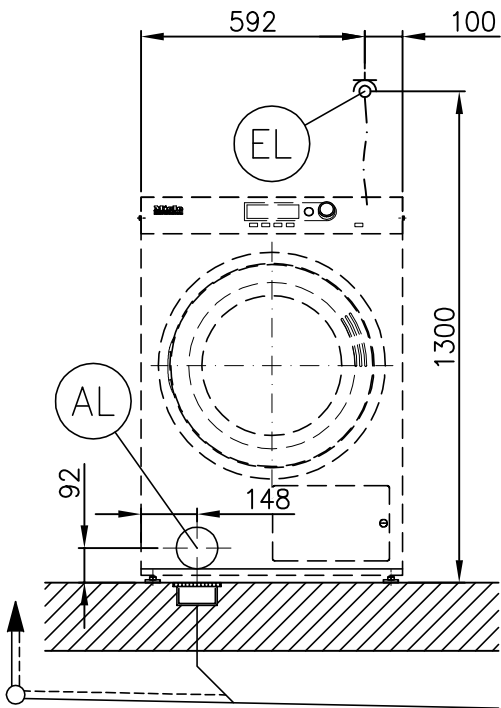
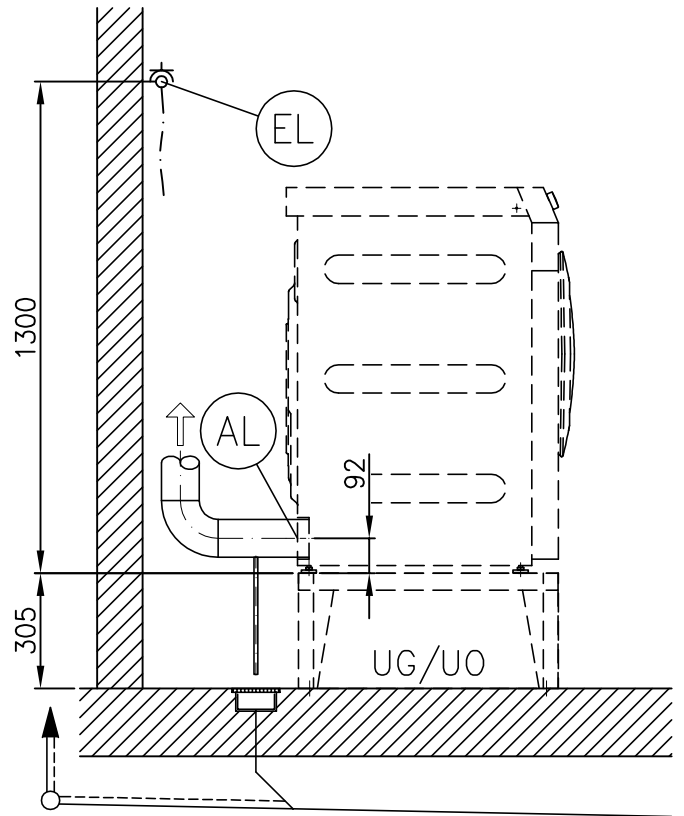
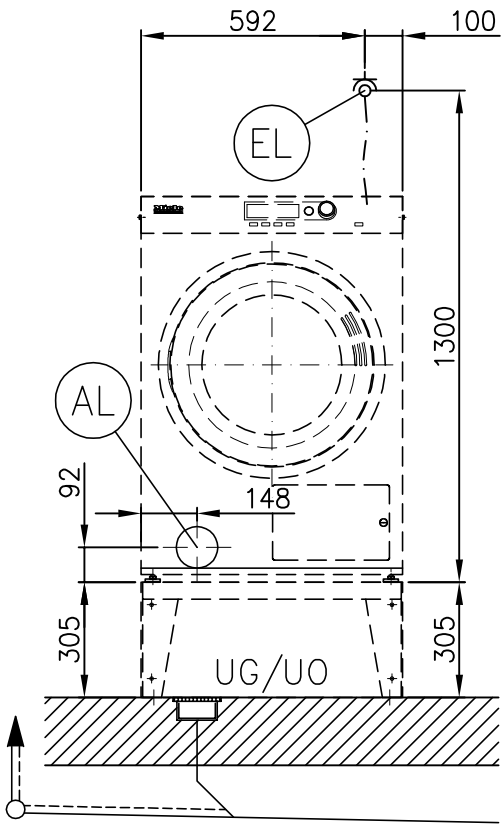
C - C



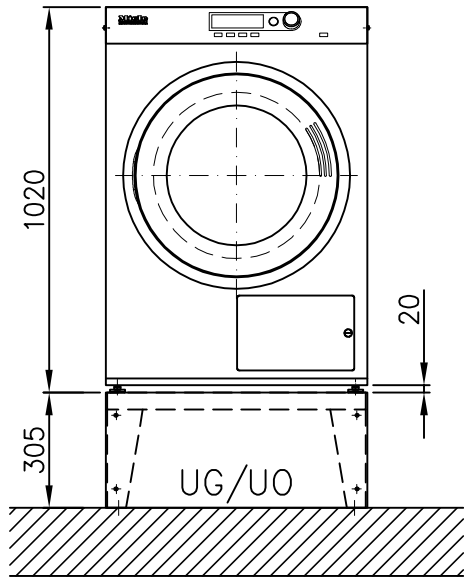
D - D



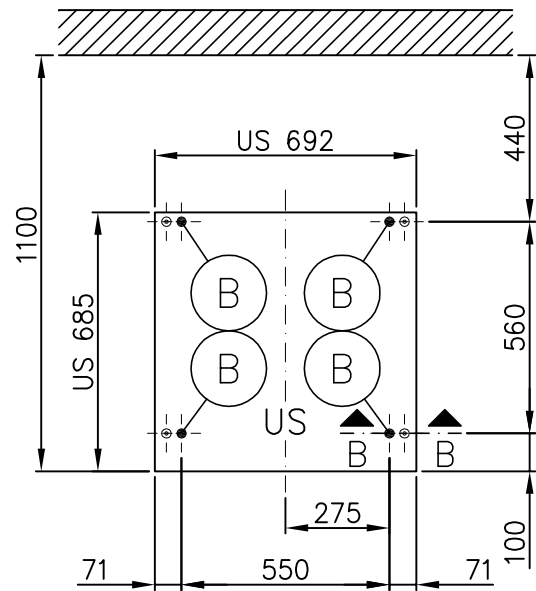
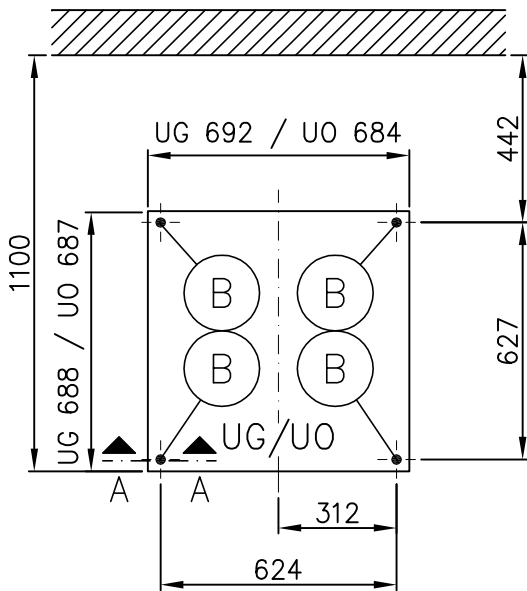
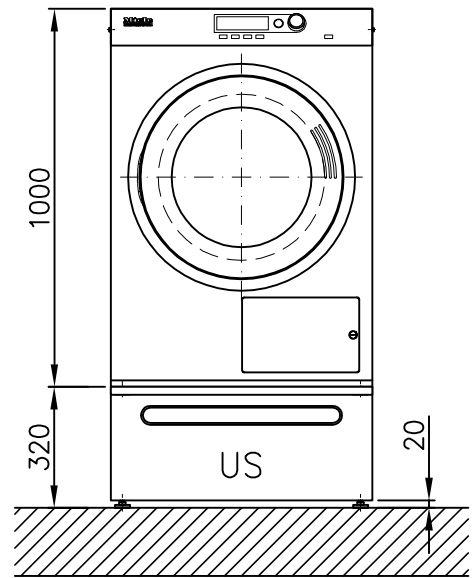




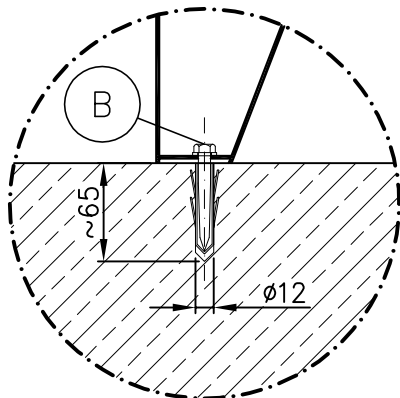
Option: Installation on Miele base (UG/UO)



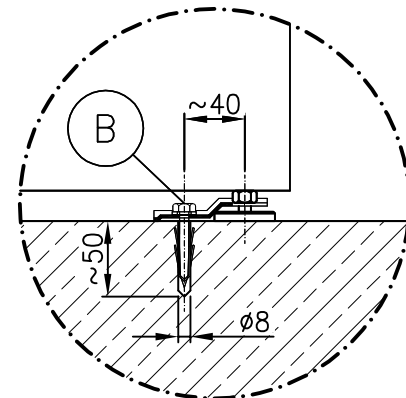
Option: Installation on Miele base (US)



A - A

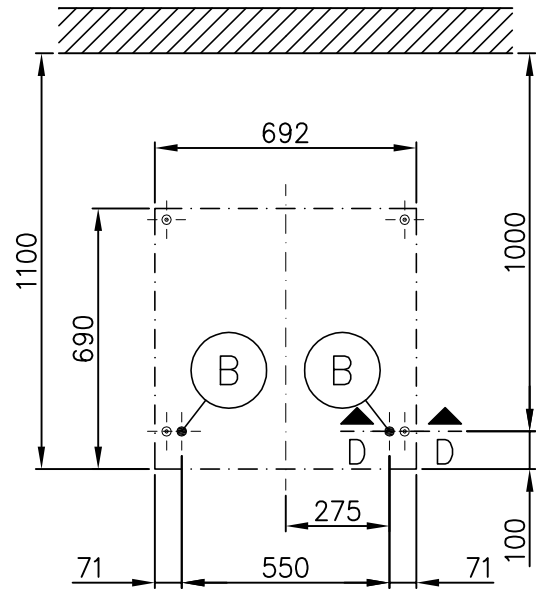
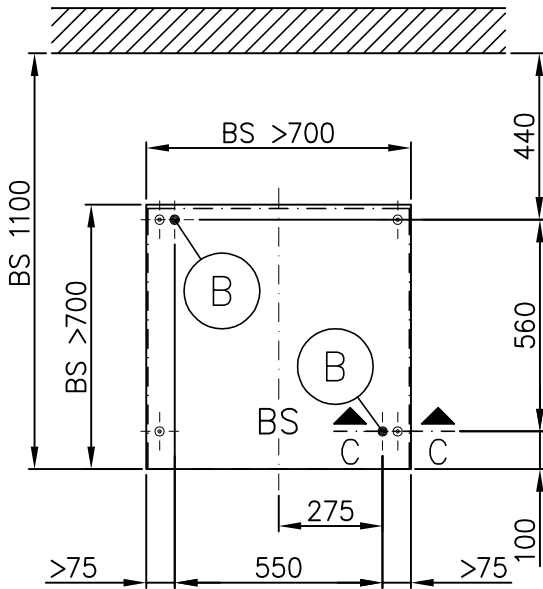
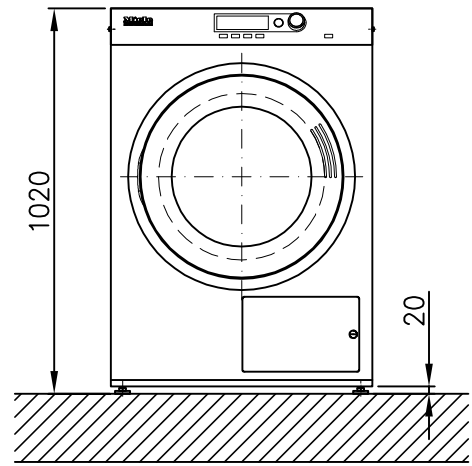
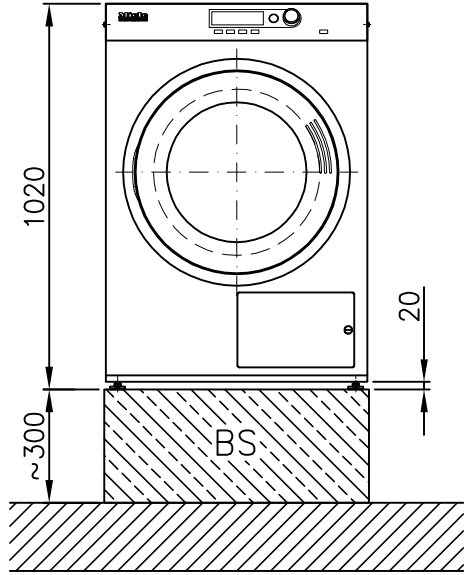


B - B

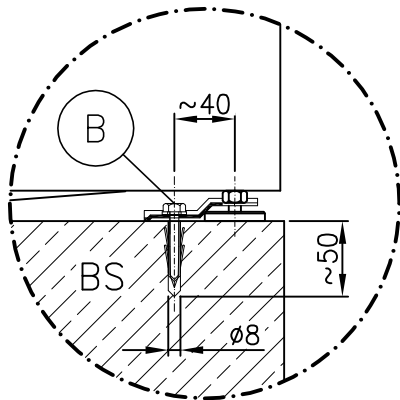


Option: Installation on concrete platform (BS)

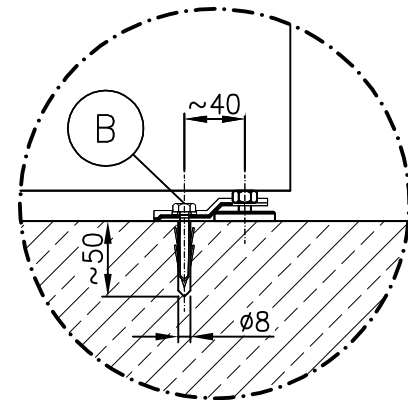
Standard installation



C - C



D - D



Technical datasheet

Miele
PROFESSIONAL

Tumble dryer:
Heating:

PT 7186
Electric (EL)

Legend:



Abbreviations in bold type:
Connection required



Abbreviations in circle with dashes:
Connection optional or required depending on model version

en - US

Optional extras:

UM	Miele base	UO 6008 (UO = open base)	Height	12"	305 mm	
			Width	26 15/16"	684 mm	
			Depth	27 1/16"	687 mm	
		UG 6008 (UG = closed base)	Height	12"	305 mm	
			Width	27 1/4"	692 mm	
			Depth	27 1/16"	688 mm	
		US 6008 (US = base with drawer)	Height	12 5/8"	320 mm	
			Width	27 1/4"	692 mm	
			Depth	27"	685 mm	
BS	Concrete base	Quality and density of concrete must comply with load. Concrete base must be firmly secured to floor!				
			Recommended height	12"	300 mm	
			Minimum height	2 3/4"	70 mm	
			Recommended width	≥27 1/2"	≥700 mm	
			Recommended depth	≥27 1/2"	≥700 mm	

Machine connections:

EL	Electrical connection	1. Standard voltage (2 AC 208V 60Hz)	V	2AC 208V
			Hz	60
			kW	4.84
			A	2 x 30
			Length of supply lead	2000 mm
			Supplied with plug	NEMA L6-30P
		2. Standard voltage (2 AC 240V 60Hz)	V	2AC 240V
			Hz	60
			kW	5.7
			A	2 x 30
			Length of supply lead	2000 mm
			Supplied with plug	NEMA L6-30P

		<p>Electrical connection must comply with national regulations.</p> <p>Connection using multi-pole lockable wall socket in compliance with IEC/EN 60309 and IEC/EN 60947 is recommended in order to simplify electrical tests. If machines are hard-wired, a multi-pole mains switch must be provided on site. Switches with a contact gap of more than 3 mm can be used. These include switches, fuses and contactors (IEC/EN 60947). A wall socket or mains isolator must be easily accessible after installation.</p> <p>Reinstallation of the supply point, changes to the equipment or checks on the protective conductor, including determination of correct fuse rating, should only be performed by a properly trained electrician.</p> <p>If necessary, equipotential bonding with good galvanic contact must be provided in accordance with all appropriate national and local regulations.</p>		
(AL)	Vented	<p>Nominal air throughput in vented mode</p> <p>Max. permissible pressure loss</p> <p>Waste air/gas temperature, max.</p> <p>Connector on machine (int. diameter)</p> <p>Connection pipe provided on site (ext. diameter)</p> <p>Miele adapter, Mat. no. 6595070 (int. diameter 100 mm) for flexible aluminum ducting and adapter, Mat. no. 915051, (ext. diameter 110 mm) for connection to standard heat-resistant plastic pipes supplied.</p> <p>As relative humidity inside the vent ducting can be as high as 100%, suitable measures must be taken to prevent a backflow of condensate into the machine.</p>	<p>188 cfm</p> <p>0.06 psi</p> <p>176°F</p> <p>3 15/16"</p> <p>3 15/16"</p>	<p>320 m³/h</p> <p>420 Pa</p> <p>80°C</p> <p>100 mm</p> <p>100 mm</p>
(ZL)	Air intake	<p>Standard connection: => Air intake from installation site</p> <p>Min. air intake cross-section (to prevent draughts in room)</p> <p>A sufficient supply of fresh air should be ensured to replace the air extracted.</p>	37 in²	237 cm²
(B)	Fittings for base / floor installation	<p>Miele base UG/UO 6008</p> <p>4 × metal angled brackets (to secure machine to base)</p> <p>4 × screws DIN 571 (Ø × length)</p> <p>4 × rawl plugs (Ø × length)</p> <p>Base must be bolted to the floor. Machine must be fixed to the base. Fixing materials for a floating screed floor are to be provided on site.</p>	<p>5/16" x 2 9/16"</p> <p>1/2" x 2 3/8"</p>	<p>8 mm x 65 mm</p> <p>12 mm x 60 mm</p>
		<p>Miele US 6008 base</p> <p>4 x metal angled brackets (to secure machine to base)</p> <p>4 × screws DIN 571 (Ø × length)</p> <p>4 × rawl plugs (Ø × length)</p> <p>Base must be bolted to the floor. Machine must be fixed to the base. Fixing materials for a floating screed floor are to be provided on site.</p>	<p>1/4" x 2"</p> <p>5/16" x 1 9/16"</p>	<p>6 mm x 50 mm</p> <p>8 mm x 40 mm</p>
		<p>Installation on floor or concrete base</p> <p>2 × clamps</p> <p>2 × screws DIN 571 (Ø × length)</p> <p>2 × rawl plugs (Ø × length)</p> <p>Machine must be fixed to the base or floor. Fittings are supplied with machine. Fixing materials for a floating screed floor are to be provided on site.</p>	<p>1/4" x 2"</p> <p>5/16" x 1 9/16"</p>	<p>6 mm x 50 mm</p> <p>8 mm x 40 mm</p>

Machine data	Unit width	27 9/16"	700 mm
	Unit depth	30 1/16"	763 mm
	Unit height	40 3/16"	1020 mm
	Casing width	27 1/4"	692 mm
	Casing depth	27 3/16"	690 mm
	Minimum width of delivery access to installation site	28 3/8"	720 mm
	Recommended rear wall gap (measured to front of machine)	43 5/16"	1100 mm
	Minimum rear wall gap (to front of machine)	35 7/16"	900 mm
	Recommended rear wall gap ensures sufficient space for maintenance and servicing.		
	Net weight	170 lbs	77 kg
Dynamic floor load, max.		1000 N	
Average heat dissipation (dependent on ambient room temperature and program selected)	1535 BTU/hr	0.45 kWh	
Sound pressure (re 20 mPA), workplace-related (at distance of 1 m and height of 1.6 m)		<70 dB (A)	

Installation should only be carried out by authorized installers in accordance with valid regulations! Observe installation instructions when installing machine! All rights reserved!