

Installation Plan
Washer-extractor



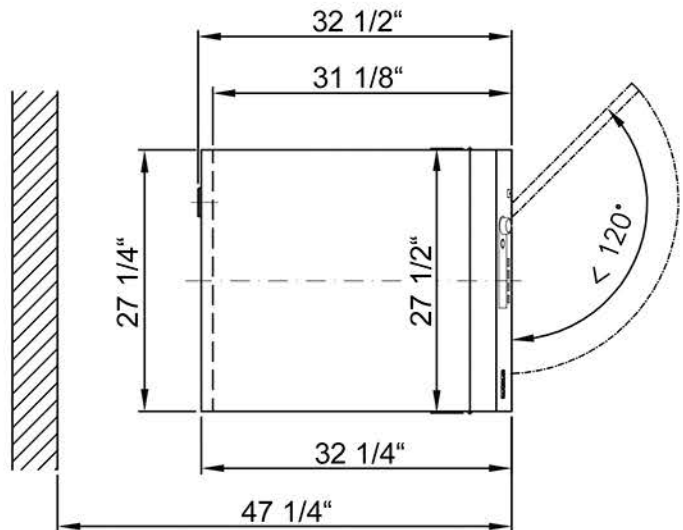
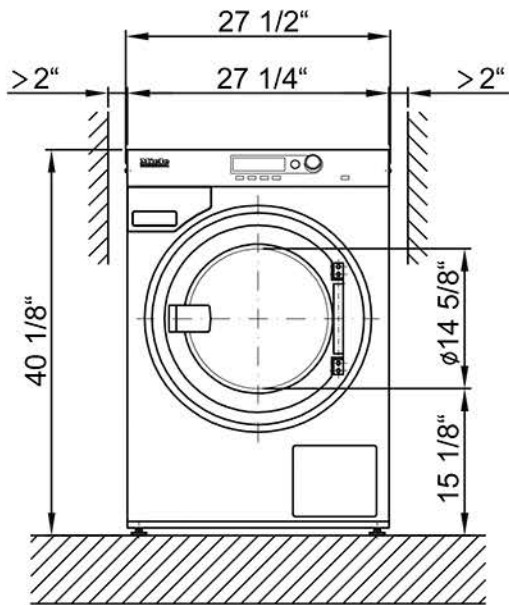
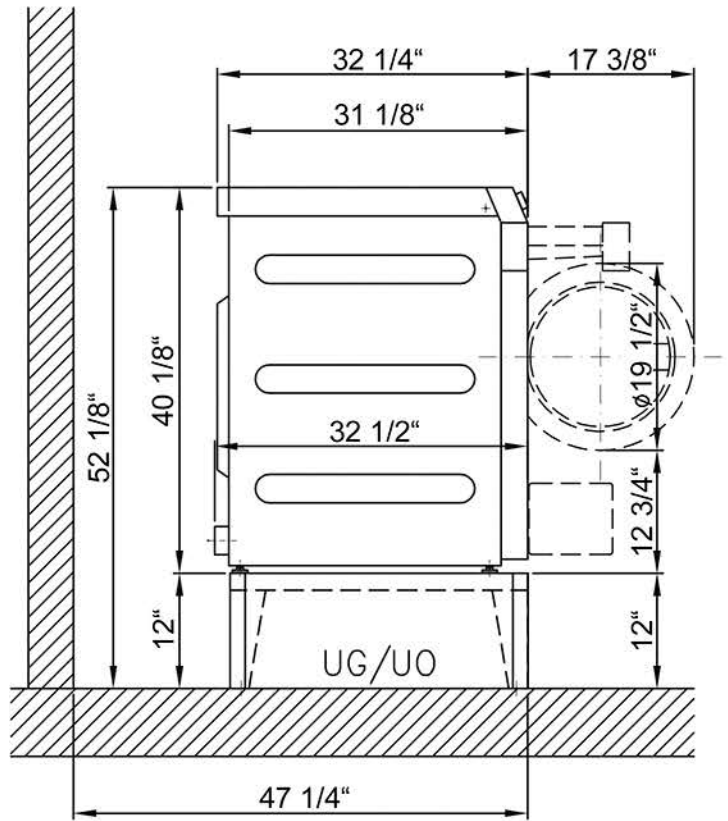
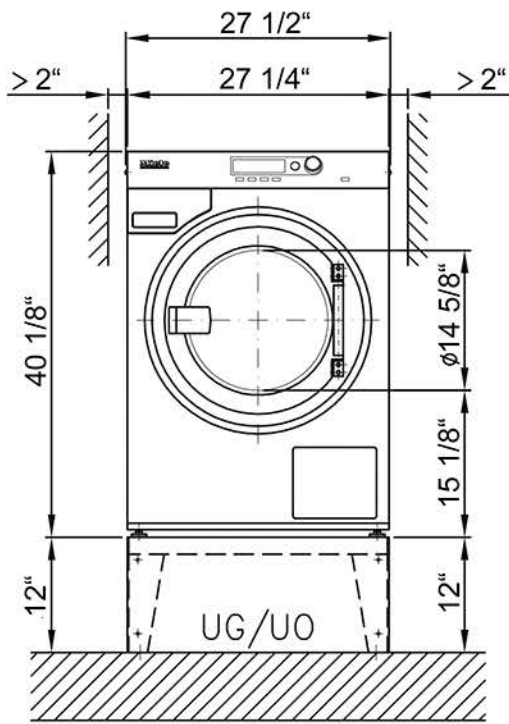
PW 5105 EL (Electrically Heated)

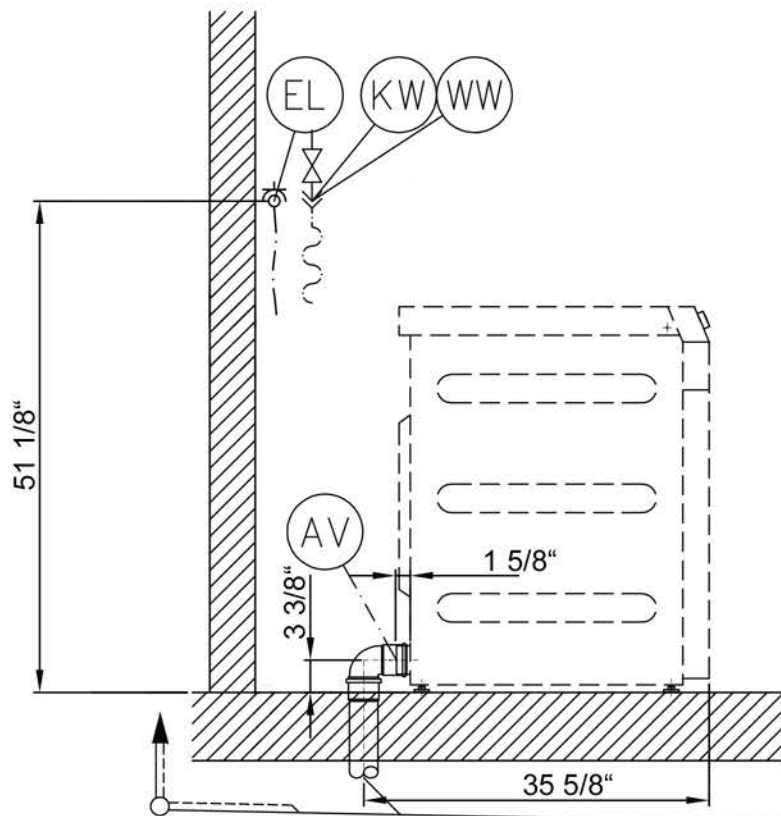
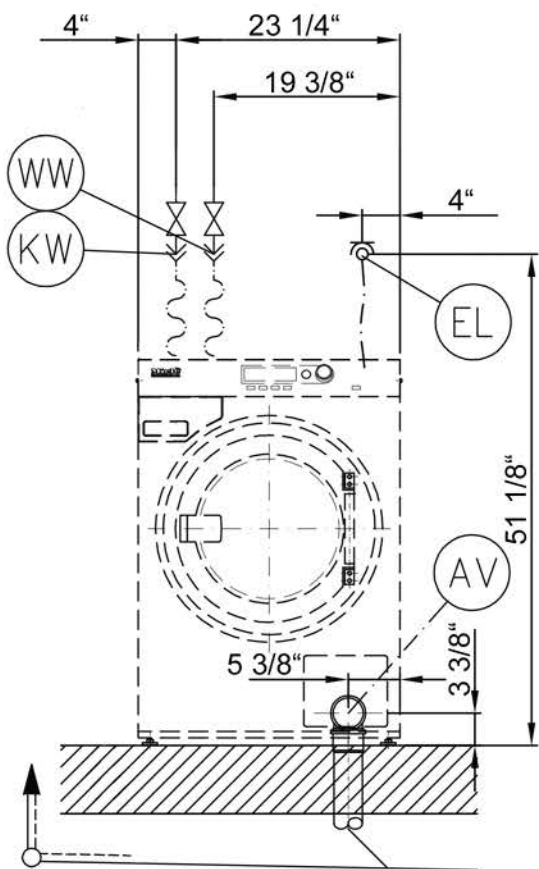
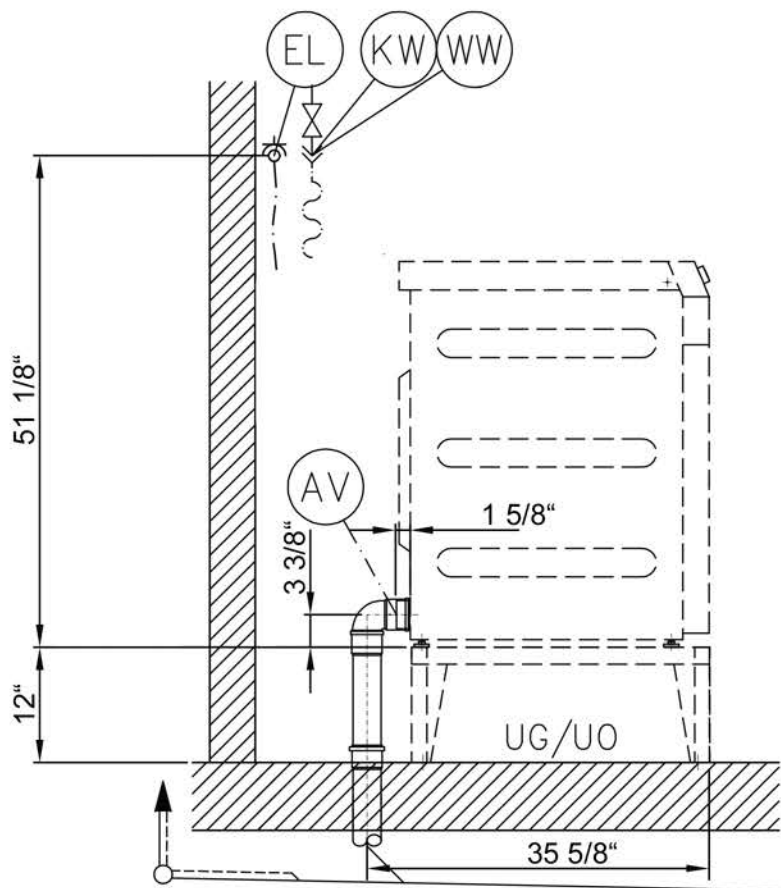
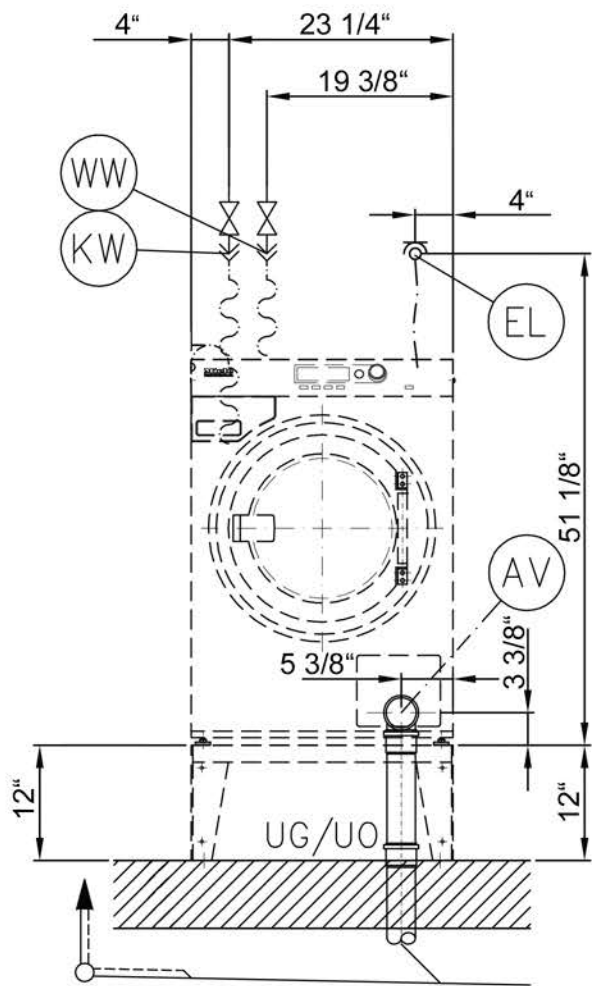
INDUSTRIAL USE ONLY

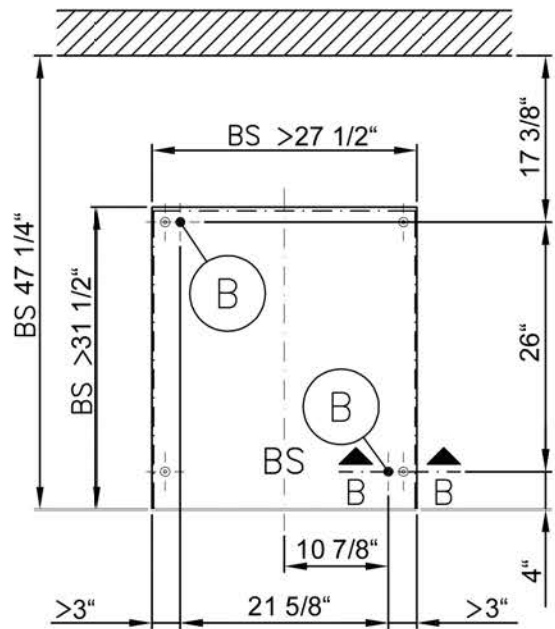
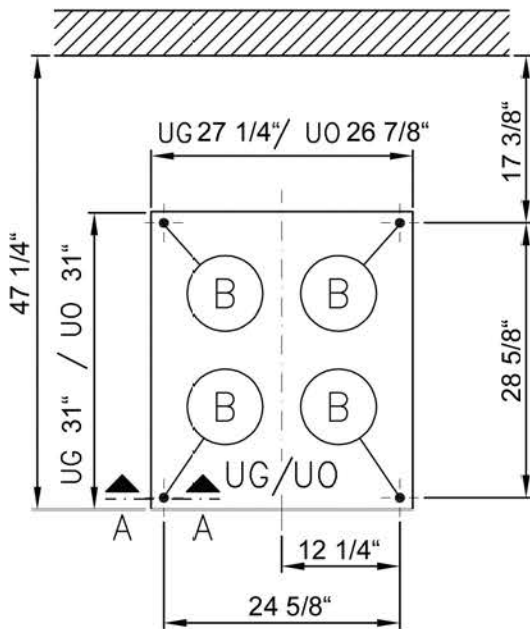
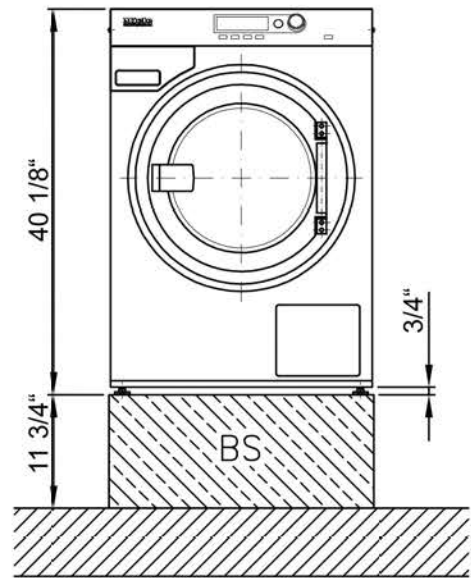
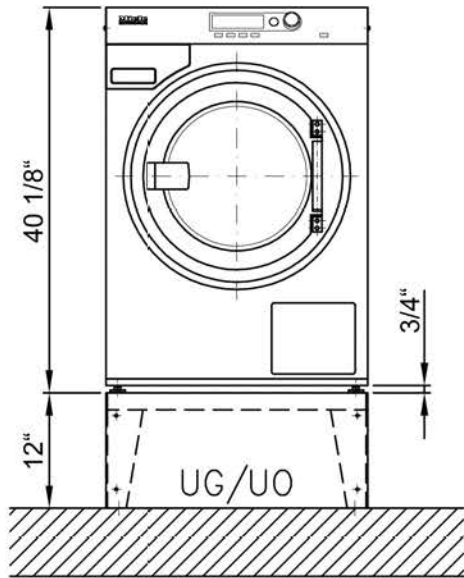
en - US

It is essential to read the operating and installation instructions before installing, commissioning or using the machine.
This avoids the risk of accidents or damage.

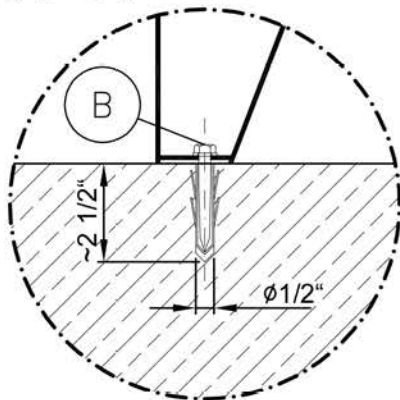
All rights reserved



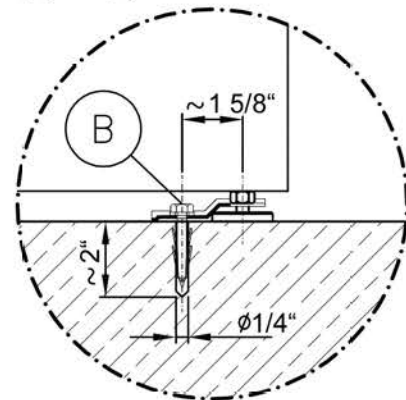


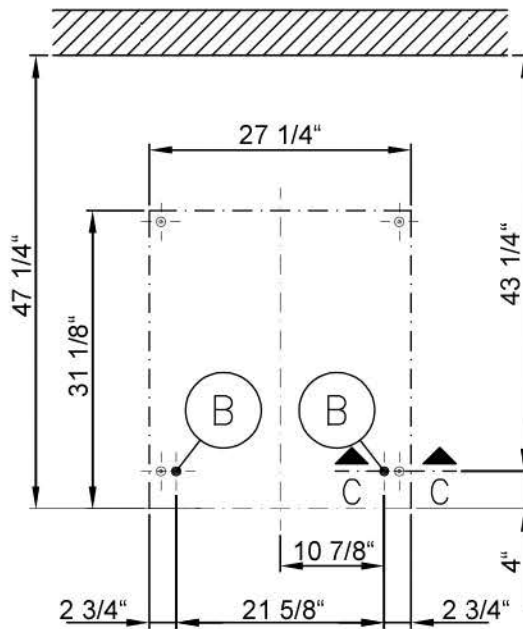
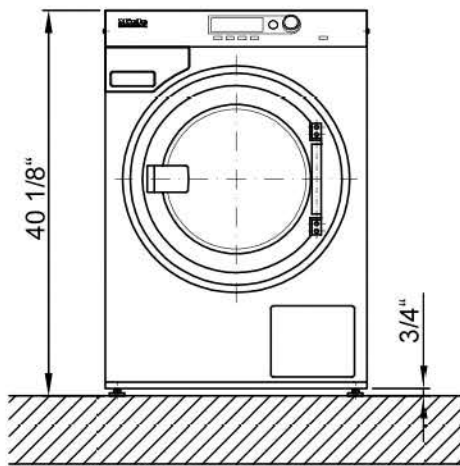


A - A

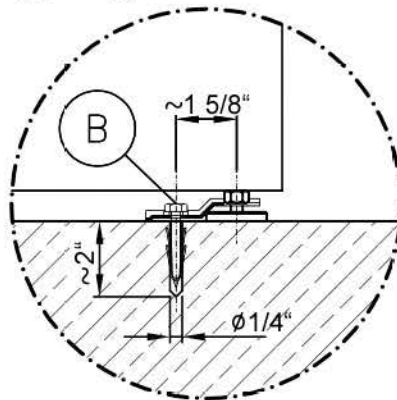


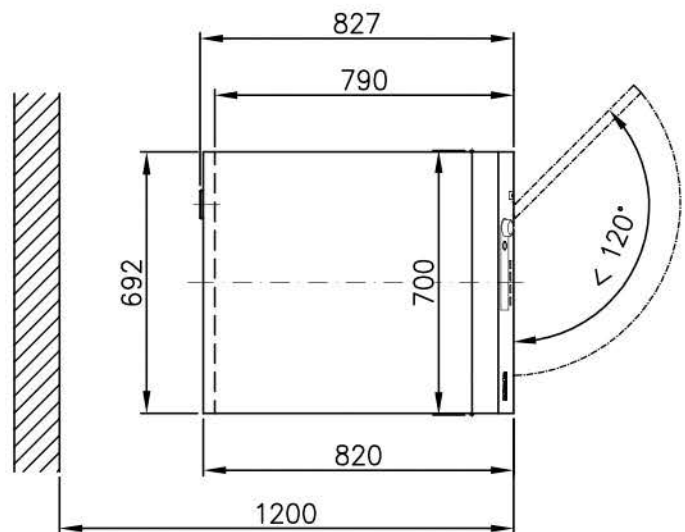
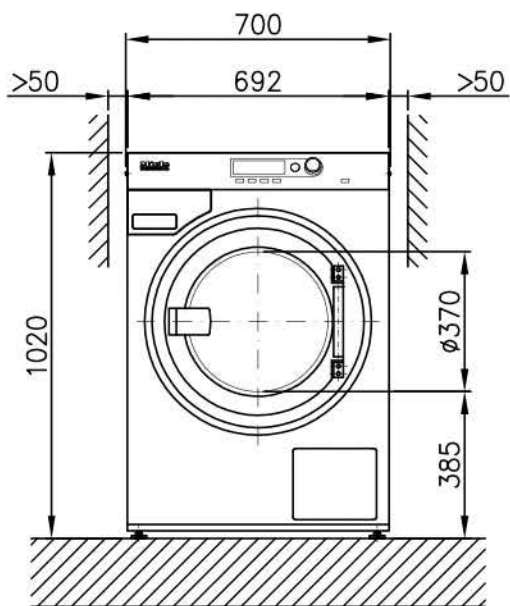
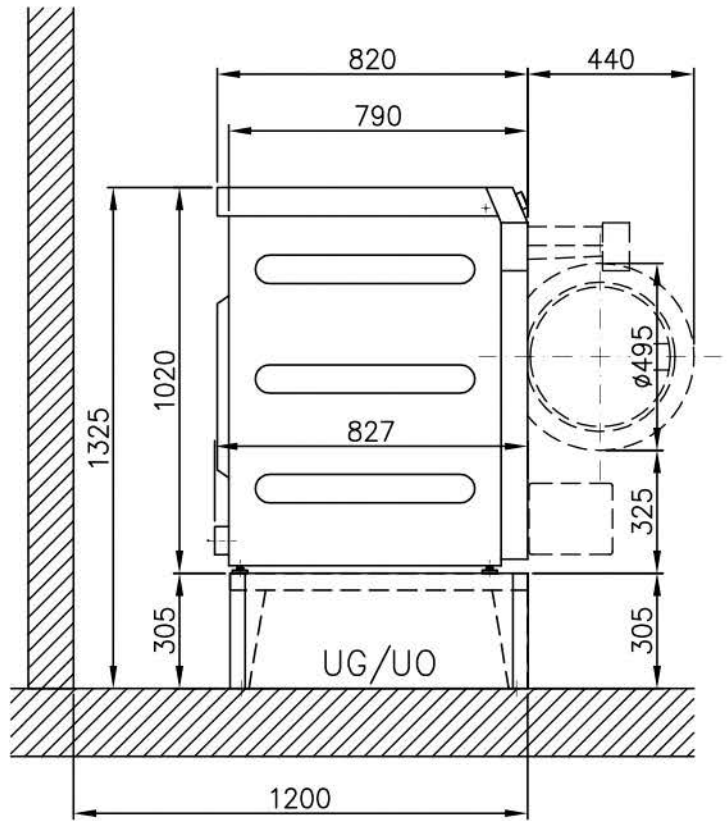
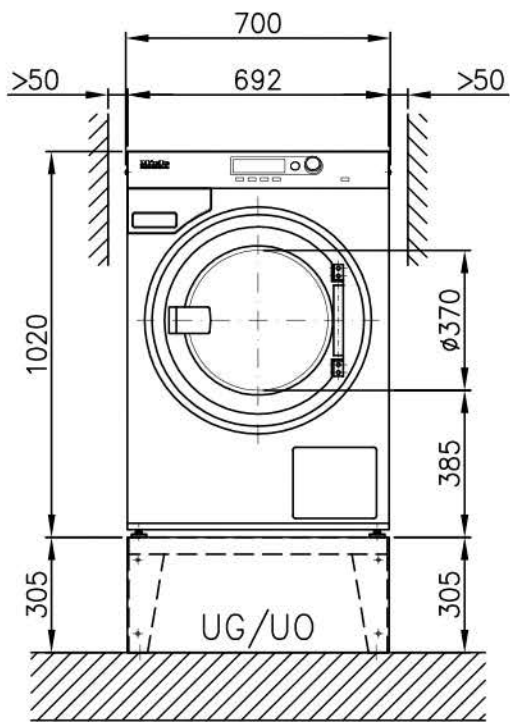
B - B

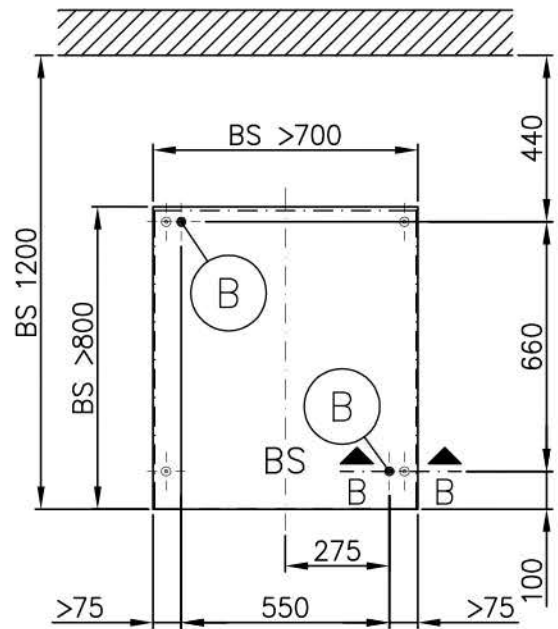
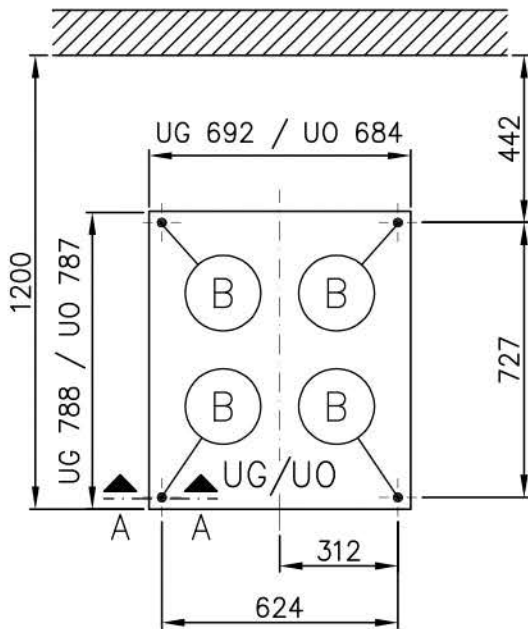
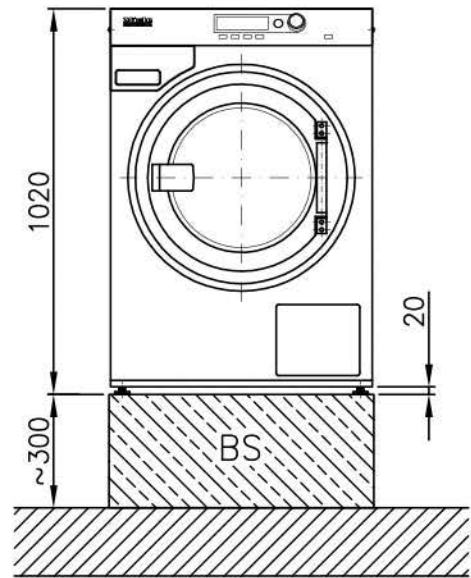
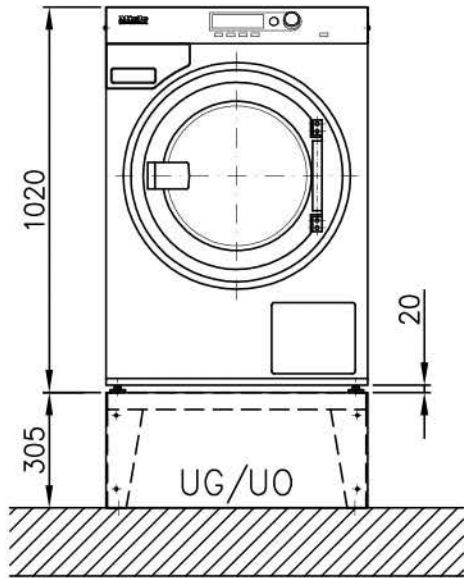




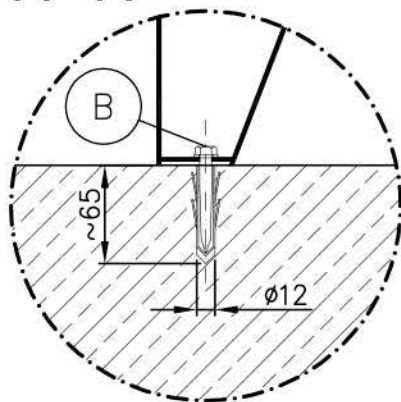
C - C



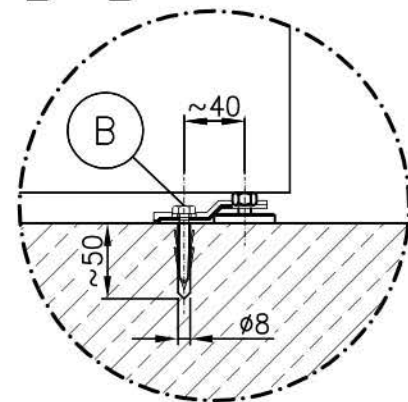


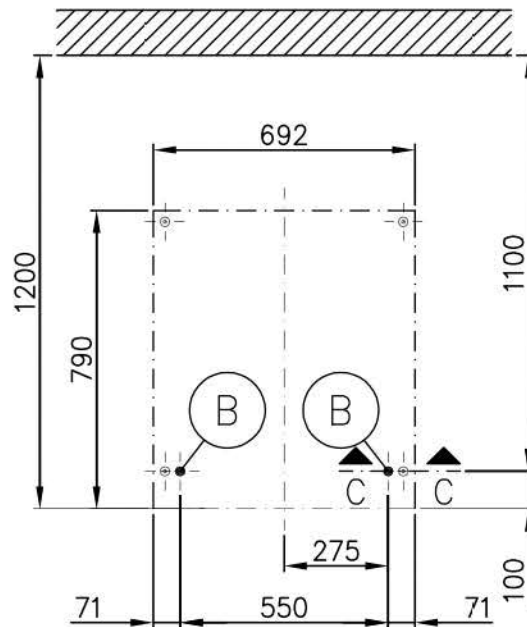
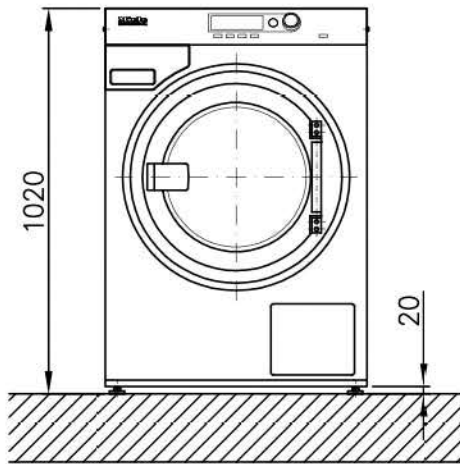


A - A

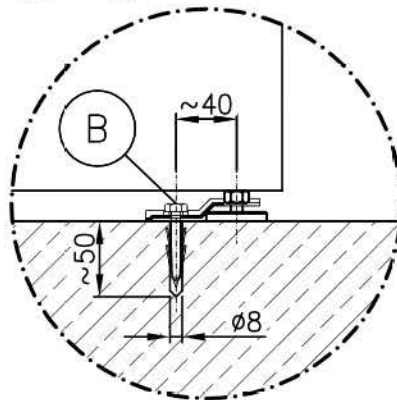


B - B





C - C



Technical datasheet

Miele
PROFESSIONAL

Washer-extractor:
Heating:

PW 5105 AV (Dump valve)
Electric (EL)

Legend:



Abbreviations in bold type:
Connection required



Abbreviations in circle with dashes:
Connection optional or required depending on model version





en - US

Optional extras:

UM	Miele base	UO 5010 (UO = open base) Height Width Depth	12" 27" 31"	305 mm 684 mm 787 mm
		UG 5010 (UG = closed base) Height Width Depth	12" 27 1/4" 31"	305 mm 692 mm 788 mm
BS	Concrete base	Quality and density of concrete must comply with load. Concrete base must be firmly secured to floor! Recommended height Minimum height Recommended width Recommended depth	 11 13/16" 2 3/4" ≥ 27 9/16" ≥ 31 1/2"	 300 mm 70 mm ≥700 mm ≥800 mm
	Dispensing pump	Pump installation may only be performed by Miele Service. External dispensing pumps (2 or 4 head pump): Voltage (external power supply required) Fusing Supplied with supply cable and plug		120V 15A NEMA 5-15

Machine connections:

EL	Electrical connection (convertible)	Standard voltage Frequency Rated load Fuse rating Length of supply lead Supplied with plug	6.5'	2 AC 220 - 240V 60 Hz 4.4 - 5.2 kW 2 x 30 A 2000 mm NEMA L6-30P
		Convertible to Frequency Rated load Fuse rating Length of supply lead Supplied with plug	6.5'	2 AC 208V 60 Hz 4.0 kW 2 x 30 A 2000 mm NEMA L6-30P
<p>Electrical connection must comply with national regulations.</p> <p>Connection using multi-pole wall lockable socket in compliance with IEC/EN 60309 and IEC/EN 60947 is recommended in order to simplify electrical tests. If machines are hard-wired, a multi-pole mains switch must be provided on site. Switches with a contact gap of more than 3 mm can be used. These include switches, fuses and contactors (IEC/EN 60947). A wall socket or mains isolator must be easily accessible after installation.</p> <p>Reinstallation of the supply point, changes to the equipment or checks on the protective conductor, including determination of correct fuse rating, should only be performed by a properly trained electrician.</p> <p>If necessary, equipotential bonding with good galvanic contact must be provided in accordance with all appropriate national and local regulations.</p>				

	Cold water (Soft water)	Min. flow pressure Max. pressure Max. throughput On-site connection thread Length of connection hose (supplied: 1 connection hose) Hourly water demand (average for 60°C program) for standard connection (with warm and cold water) If warm water supply is not available add warm water demand to cold water demand.	14.5 psi 145 psi 2.9 gal/min 3/4" garden hose thread, male 61" approx. 18.5 gal/h	100 kPa 1000 kPa 11 l/min 3/4" garden hose thread, male 1550 mm approx. 70 l/h
	Warm water (Soft water)	Max. temperature Min. flow pressure Max. pressure Max. throughput On-site connection thread Length of connection hose (supplied: 1 connection hose) Hourly water demand (average for 60°C program) If reprogrammed by Miele Service, the Machine can also be connected to a hot water supply line with a temperature of 70°C to max. 85°C. This requires a separate inlet hose. This additional inlet hose is available from Miele Spares. If warm water is not available, connect warm water hose to cold water valve!	158°F 14.5 psi 145 psi 2.9 gal/min 3/4" garden hose thread, male 61" approx. 18.5 gal/h	70°C 100 kPa 1000 kPa 11 l/min 3/4" garden hose thread, male 1550 mm approx. 70 l/h
	Drain: Dump valve	Max. temperature Machine-side drain connection (ext. diameter) On-site drain (int. diameter) Max. transient throughput Vented drainage required. If ventilation is insufficient, fit Miele kit, Mat. no. 05238090. Drain manifolds serving several machines must be of sufficient cross-section.	158°F 2 15/16" 2 15/16" 16.4 gal/min	70°C 75 [DN 70] mm 75 [DN 70] mm 62 l/min
	Fittings for base/floor installation	Miele base UG/UO 5010 4 x metal angled brackets (to secure machine to base) 4 x screws DIN 571 (Ø x length) 4 x rawl plugs (Ø x length) Machine must be bolted to the base and floor! Fixing materials for a floating screed floor are to be provided on site. Installation on floor or concrete base 2 x clamps 2 x screws DIN 571 (Ø x length) 2 x rawl plugs (Ø x length) Machine must be bolted to the base or floor. Fittings are supplied with machine Fixing materials for a floating screed floor are to be provided on site.	5/16" x 2 9/16" 1/2" x 2 3/8" 1/2" x 2" 5/16" x 1 9/16"	8 mm x 65 mm 12 mm x 60 mm 6 mm x 50 mm 8 mm x 40 mm

Machine data	Unit width	27 9/16"	700 mm
	Machine depth	32 9/16"	827 mm
	Unit height	40 3/16"	1020 mm
	Casing width	31 3/16"	792 mm
	Casing depth	31 1/8"	790 mm
	Minimum width of delivery access to installation site	28 3/8"	720 mm
	Recommended rear wall gap (measured to front of machine)	47 1/4"	1200 mm
	Minimum rear wall gap (to front of machine)	39 3/8"	1000 mm
	Recommended rear wall gap ensures sufficient space for maintenance and servicing.		
	Net weight	327 lbs	148 kg
	Dynamic floor load, max.	2750 N	2750 N
	Static floor load, max.	1960 N	1960 N
	Dynamic load, max.	790 N	790 N
	Drum frequency, max.	18 Hz	18 Hz
	Average heat dissipation (dependent on ambient room temperature and program selected)	2630 BTU/hr	0.77kWh
Sound pressure (re 20 mPA), workplace-related (at distance of 1 m and height of 1.6 m)	<70 dB (A)	<70 dB (A)	

Installation should only be carried out by authorized installers in accordance with valid regulations!
Follow installation instructions when installing machine! All rights reserved!